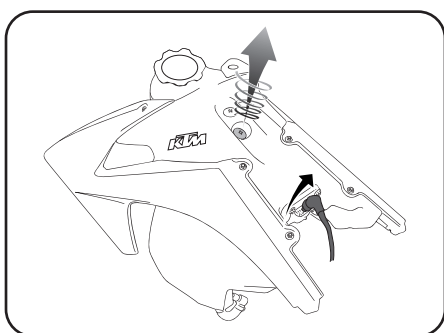
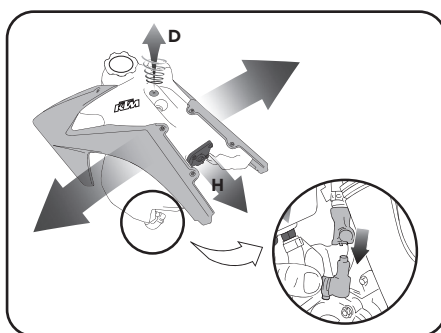


COD. 500005278 REV 3

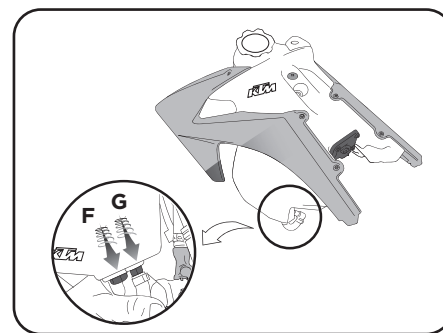
ACERBIS PARTS	O.E.M ITEMS TO USE:	ACERBIS PARTS ONLY FOR US TANKS
 A - (1 pcs.)	 I - (1 pcs.) F - (1 pcs.)	 G - (1 pcs.) F - (1 pcs.) E - (4 pcs.) <small>k60x20</small>
 C - (1 pcs.) B - (4 pcs.)	 H - (1 pcs.) G - (1 pcs.) D - (1 pcs.)	 D - (1 pcs.) L - (1 pcs.) M - (4 pcs.) <small>k60x25</small>



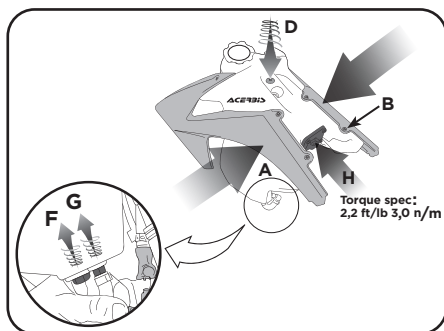
1. Svitare la vite serbatoio. Sconnettere il cavo di alimentazione della pompa.
Remove the tank screws. Disconnect the fuel pump power cable.



2. Rimuovere i fianchetti, la vite-sella, il serbatoio KTM e scollegare il connettore benzina.
Remove the radiator scoops, the seat screw, the KTM tank and the fuel connector.

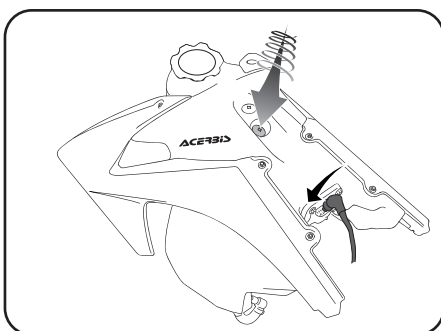


3. Svuotare completamente la benzina dal serbatoio e rimuovere le utenze.
Empty your fuel tank completely and remove the fasteners.

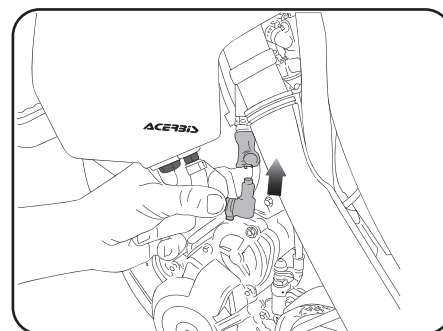


4. Mettere la vite-sella, montare i fianchetti, rimontare la pompa con le 4 viti M e le utenze sul serbatoio Acerbis.
Insert the seat screw, assemble the radiator scoops, reconnect the pump with 4 screws M and the fasteners on the Acerbis fuel tank.

Torque spec:
 2,2 ft/lb 3,0 n/m

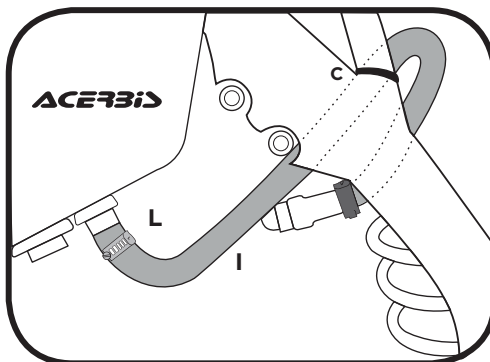


5. Posizionare il serbatoio sulla moto, riconnettere il cavo di alimentazione della pompa e riavvitare la vite-serbatoio.
Arrange the tank on the bike, reconnect the fuel pump power cable and screw the tank screw back on.



6. Riconnettere connettore benzina.
Reconnect the fuel connector.

ATTENZIONE: Dettaglio montaggio tubo-pompa
ATTENTION: Pump hose mounting detail



Fissare il tubo pompa KTM nel modo indicato: usare la fascetta Acerbis in dotazione facendo attenzione che il tubo piegandosi non crei strozzature.
Fix the pump hose KTM as illustrated: use the Acerbis strap included make sure that the hose doesn't fold obstructing the fluid.

DISCLAIMER:

DISCLAIMER: Due to uncontrolled variables in the manufacturing process of rotationally molded fuel tanks, the fuel tank may vary in size and shape by up to 7% of the manufacturer's original listed capacity.

LIBERATORIA

LIBERATORIA: A causa di variabili inponderabili nel processo di stampaggio rotazionale dei serbatoi, questi possono differire in forma e dimensioni fino al 7% rispetto alla capacità dichiarata.

**FOR COMPETITION USE ONLY
SOLO PER USO AGONISTICO**



Thank you for purchasing an ACERBIS fuel tank

WARNING

It is **EXTREMELY IMPORTANT** that the fuel tank be properly installed. To ensure proper installation, it is **STRONGLY RECOMMENDED** that the tank be installed only by a qualified OEM licensed dealership mechanic. Improper installation could result in serious injury or even death.

If self-installed NOTE THE FOLLOWING. Particular attention must be paid to excessive fuel line length and fuel line proximity to hot engine areas and pipes to prevent fire.

Clean tank interior thoroughly before installation. Install this fuel tank only in a well ventilated area, as gasoline fumes are extremely dangerous. Do not start or operate the vehicle if there are any fuel leaks! Read all instruction first before beginning installation.

DISCLAIMER

Due to uncontrolled variables in the manufacturing process of rotationally molded fuel tanks, the fuel tank may vary in size and shape by up to 7% of the manufacturer's original listed capacity.